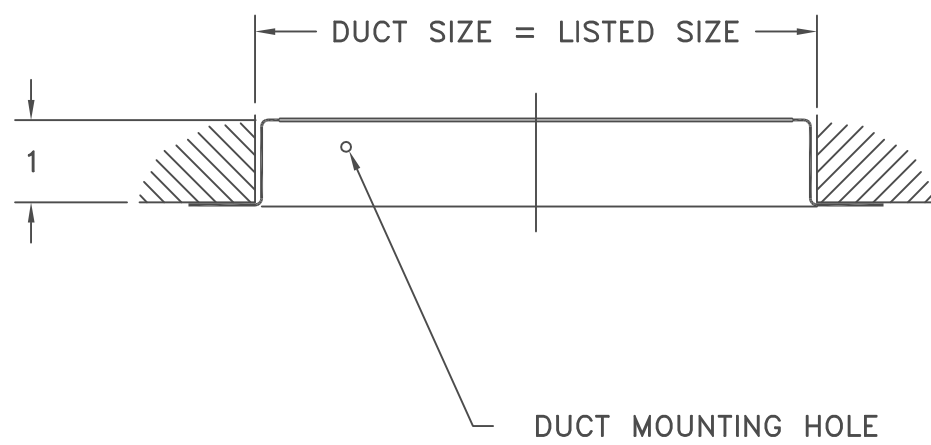
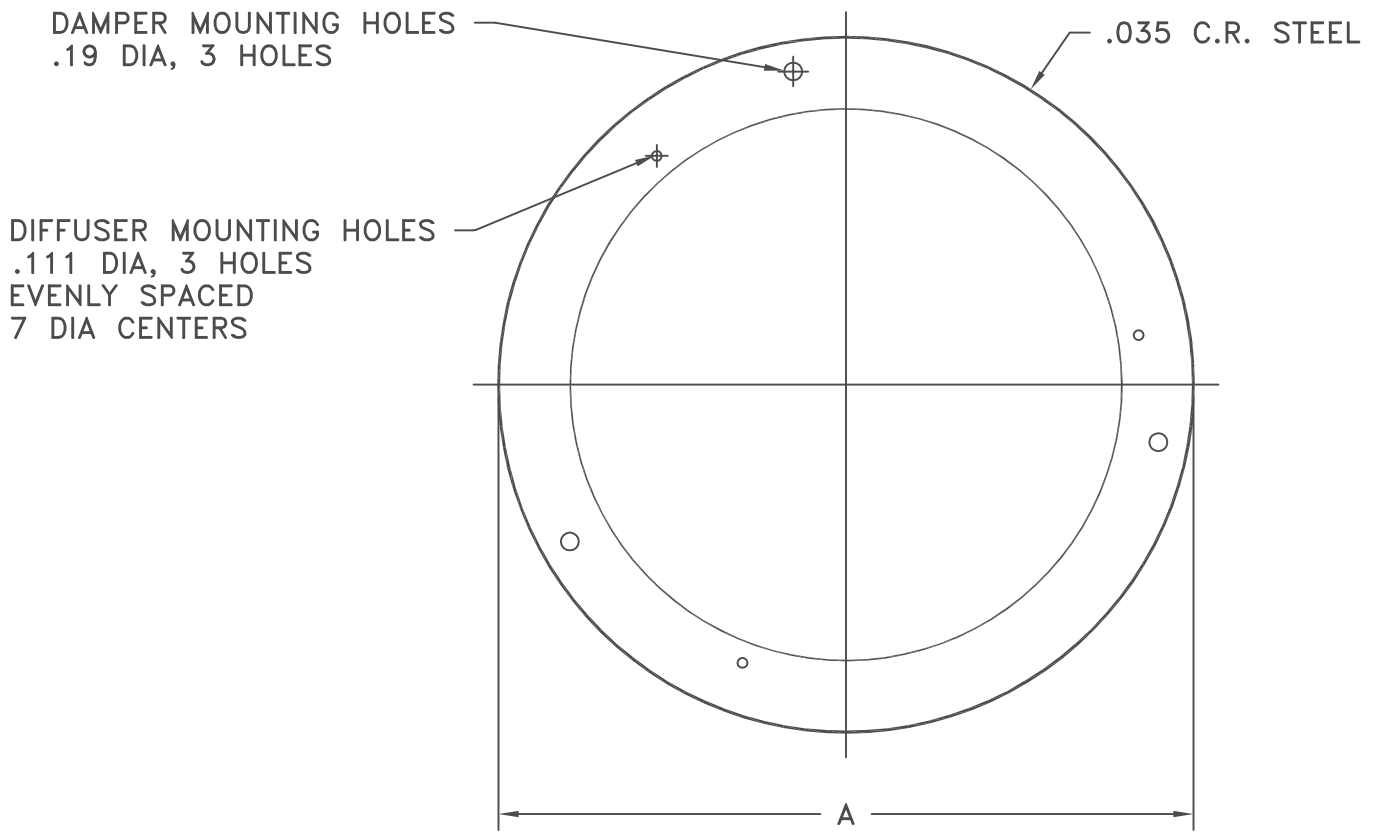


- ALL STEEL CONSTRUCTION
- FINISH: BROWN (BR) ENAMEL



SIZE	A
6	7-1/2
8	9-1/2
10	10-7/8
12	12-7/8
14	14-7/8
18	18-13/16

JOB NAME: _____	SUBMITTED BY: _____	DATE: 10/8/2012
LOCATION: _____		800R Duct Ring
ARCHITECT: _____		
ENGINEER: _____		
CONTRACTOR: _____		