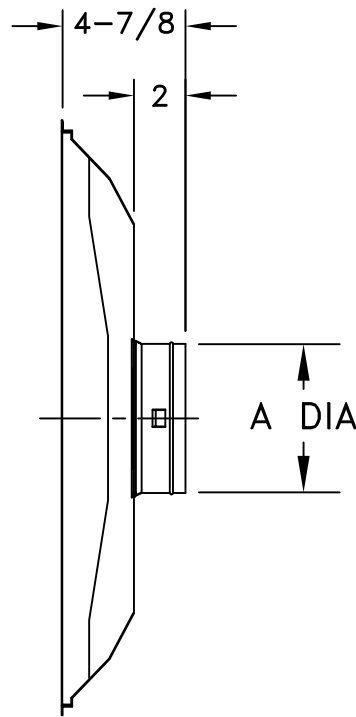
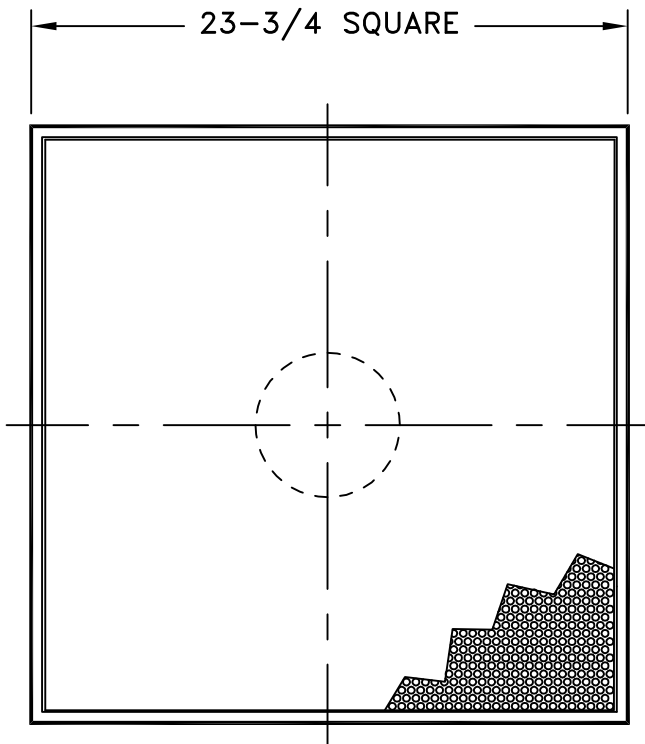
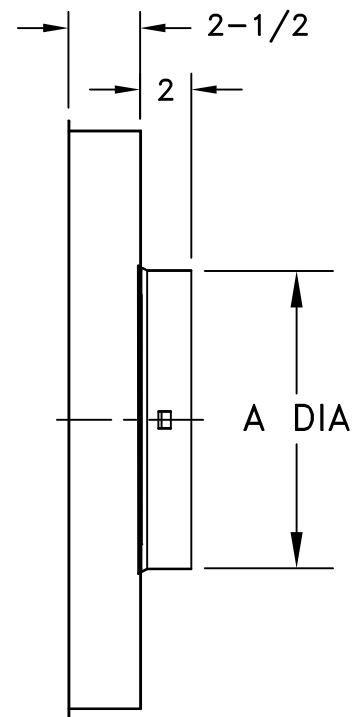


- FITS STANDARD 2' X 2' T-BAR CEILING SYSTEMS
- AVAILABLE IN 6-18 INCH COLLAR SIZES
- OPTIONAL ADJUSTABLE NO. 800DO STEEL BUTTERFLY DAMPER AVAILABLE FOR ALL SIZES
- HINGED/LATCHED FACE ALLOWS FOR EASY ACCESS TO DAMPER
- MATCHING 704 SUPPLY AVAILABLE
- FINISH: WHITE (W) ENAMEL ON FACE AND BACK

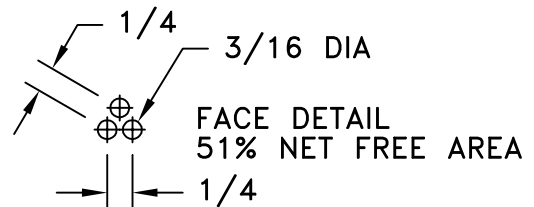


6-14
NECK SIZE



16
NECK SIZE

SIZE	A DIA
6	5-7/8
8	7-7/8
10	9-7/8
12	11-7/8
14	13-7/8
16	15-7/8



JOB NAME: _____
 LOCATION: _____
 ARCHITECT: _____
 ENGINEER: _____
 CONTRACTOR: _____

SUBMITTED BY: _____

DATE: 07/29/2014 AM-703

703
 Curved Blade Perforated
 Return Diffuser